

# PanPlug® TX6A™ 24 AWG UTP Modular Plug for Solid/Stranded cable

## SPECIFICATIONS

Category 6A/Class EA, 8-position, 8-wire, UTP modular plug shall terminate 4-pair, 24 AWG, 100 ohms, solid or stranded, unshielded, twisted pair patch cable with maximum conductor insulation diameter of 0.042 inches (1.07mm) and maximum jacket diameter of 0.300 inches (7.62mm).



## TECHNICAL INFORMATION

<b>Category 6/Class E component performance:</b>	Exceeds ANSI/TIA Category 6A and ISO Class EA performance requirements when properly terminated to Panduit Category 6A UTP patch cable
<b>IP compliance:</b>	Bulkhead connection rated IP65/IP67 for dust protection and temporary liquid immersion
<b>IEC compliance:</b>	IEC-60603-71
<b>FCC and ANSI compliance:</b>	Meets ANSI/TIA-1096-A (formerly FCC Part 68)
<b>PoE compliance:</b>	Supports PoE, PoE+, and proposed Type 3 and 4 PoE++ applications for up to 100 W
<b>RoHS compliance:</b>	Compliant
<b>Conductor termination:</b>	Compatible with 24 AWG solid or stranded Category 6A UTP patch cable
<b>Cable jacket diameter range:</b>	0.26 in. - 0.30 in. (6.60mm - 7.62mm)
<b>Conductor insulation diameter range:</b>	0.040 in. - 0.048 in. (1.02mm - 1.22mm)
<b>Plug housing:</b>	UL94V-0-rated clear Polycarbonate
<b>Contacts:</b>	Gold-plated phosphor bronze
<b>Operating temperature:</b>	14°F to 140°F (-10°C to 60°C)
<b>Storage temperature:</b>	40°F to 158°F (-40°C to 70°C)

## KEY FEATURES AND BENEFITS

<b>Patented tangle-free latch:</b>	Prevents snags and provides easy release, saving time and giving reliability on frequent moves, adds, and changes
<b>Robust construction:</b>	Rated to 2500 mating cycles

## APPLICATIONS

Category 6A plugs allow customers to meet performance requirements in ISO 11801 Class EA, IEEE 802.3an-2006, and ANSI/TIA-568-C.2 Category 6A Standards to support transmission at speeds up to and including 10GBASE-T. Plugs can be used in applications with data centers and connections to high-end workstations, such as stacking switches and switch-to-switch links, storage area networks, aggregation of Gigabit Ethernet channels, real-time intensive financial transactions, streaming video, animation, scientific modeling, and medical imaging.

### TX6 24 AWG UTP Modular Plug

**Bulk package of 100 pcs:** SP6X88P-C

#### Tools and Accessories

**Termination Tool:** CSPT

**Crimp Tool:** MPT5-8AS

**Standard RJ45 plug lock-in device (Red):** PSL-DCPLE^

**Recessed RJ45 plug lock-in device (Red):** PSL-DCPLRE^

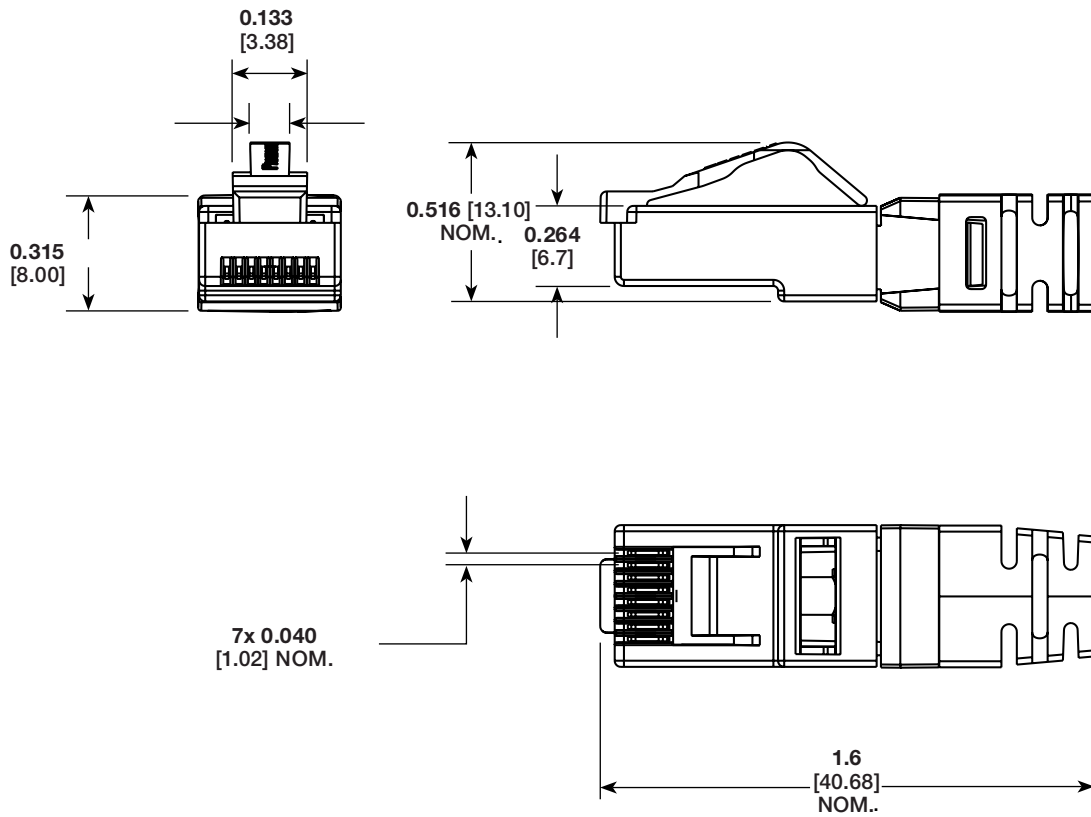
^Colors other than Red: -BL (Black), -BU (Blue), -GR (Green), -YL (Yellow), -OR (Orange), IW (Int'l White), or -IG (International Gray)  
-C indicates bulk packages of 100 to reduce single-use plastic)



All Part Numbers Compliant with the U.S. Trade Agreements Act (TAA) for purchases shipped to the United States.

# PanPlug® TX6A™ 24 AWG UTP Modular Plug for Solid/Stranded cable

## ENGINEERING DRAWINGS



Dimensions are in inches. [Dimensions in brackets are metric].

### WORLDWIDE SUBSIDIARIES AND SALES OFFICES

PANDUIT US/CANADA  
Phone: 800.777.3300

PANDUIT EUROPE LTD.  
London, UK  
Phone: 44.20.8601.7200

PANDUIT SINGAPORE PTE. LTD.  
Republic of Singapore  
Phone: 65.6305.7575

PANDUIT JAPAN  
Tokyo, Japan  
Phone: 81.3.6863.6000

PANDUIT LATIN AMERICA  
Guadalajara, Mexico  
Phone: 52.33.3777.6000

PANDUIT AUSTRALIA PTY. LTD.  
Victoria, Australia  
Phone: 61.3.9794.9020

For a copy of Panduit product warranties, log on to [www.panduit.com/warranty](http://www.panduit.com/warranty)

**PANDUIT**®

For more information  
Visit us at [www.panduit.com](http://www.panduit.com)  
Contact Customer Service by email: [cs@panduit.com](mailto:cs@panduit.com)  
or by phone: 800.777.3300

© 2023 Panduit Corp.  
ALL RIGHTS RESERVED.  
COSP301-WW-ENG  
10/2023